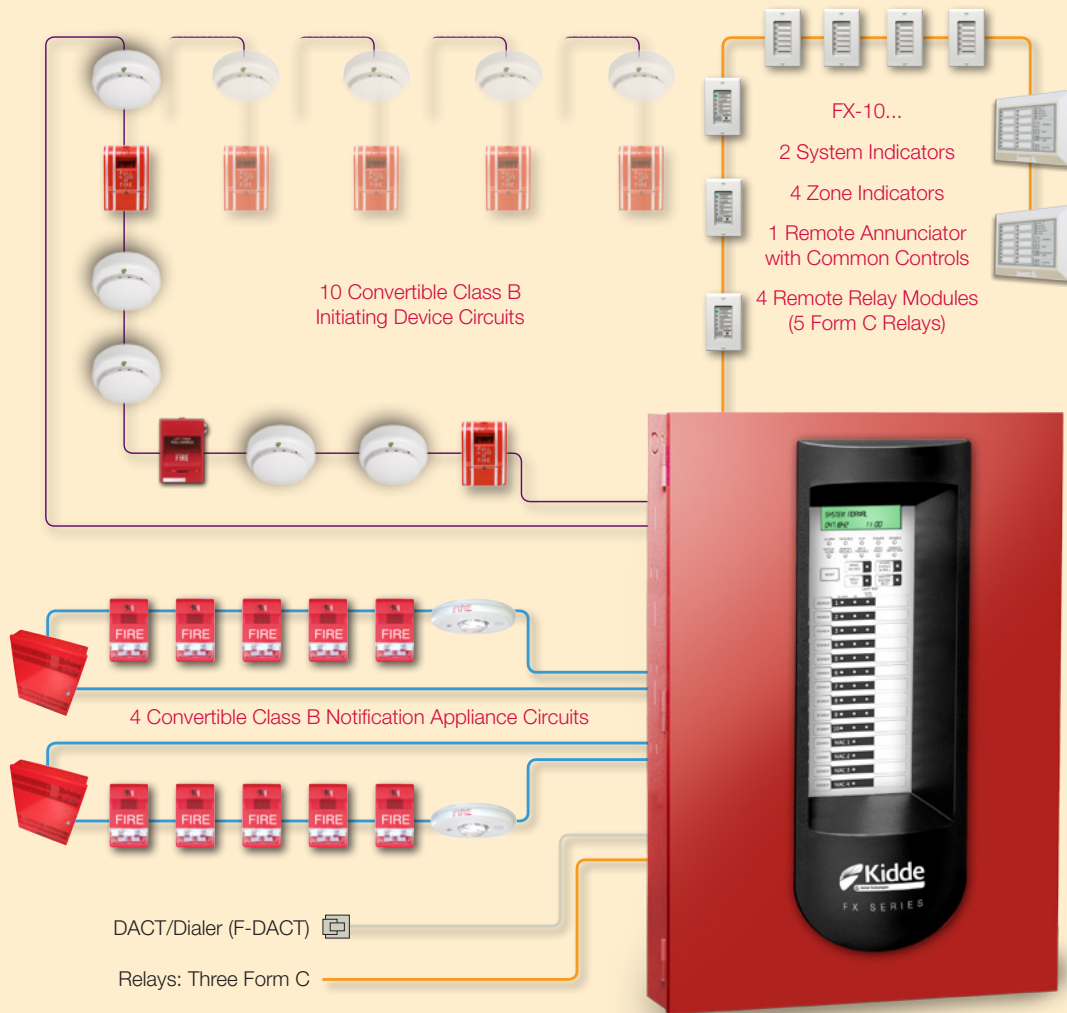


FX-Series

conventional small building fire alarm solutions



The simplicity of conventional wiring with valuable features found only among high-end systems.

- Available in 5, and 10 zone models
- CleanMe® feature provides remote annunciation if 521 Series detector drifts out of UL limits
- Automatic drift compensation extends detector life
- Precision UL 1971 signal synchronization and optional audible silence over just two wires
- Up to 7.5 amps available NAC power cuts equipment costs
- Fully integrated upload/download communications enables PC programming and off-premise monitoring
- Zone or NAC pairs convertible to single Class A circuits
- Combination Waterflow and Supervisory zones
- NACs programmable by zone and individually selectable for continuous, temporal or coded outputs, or Genesis protocol

10-Zone Model illustrated. 5-Zone Models also available. See table for specifications.

Specifications		FX-10RD						FX-5RD		
Initiating Device Circuits – IDCs Available Combinations	Class B	10	8	6	4	2	0	5	3	1
	Class A	0	1	2	3	4	5	0	1	2
Notification Appliance Circuits – NACs Available Combinations	Class B	4	2	2		0		2	0	
	Class A	0	1	1		2		0	1	
Notification Appliance Circuits – NACs		4						2		
Power Supply		7.5 amps total						4.25 amps total		
Maximum NAC current		2.0 amps each, 7.0 amps total						2.0 amps each, 3.5 amps total		
Base Panel Current Draw		Standby: 128 mA; Alarm: 242 mA						Standby: 104 mA; Alarm: 224 mA		
Battery Placement		24 Ah maximum, up to 10 Ah in cabinet						24 Ah maximum, up to 10 Ah in cabinet		
Auxiliary Current		0.5 amps max. May be programmed as resettable								
Auxiliary Output		24 Vdc regulated								
IDC Alarm Current		3.0 mA								
Alarm, Trouble, Supervisory Contacts		Form “C” Contacts at 30 Vdc @ 1 A (resistive load)								
Terminals (wire gauge)		18 - 12 AWG								
Serial Communication Bus for Annunciators & Relay Modules		Maximum resistance: 13 Ohms; Maximum capacitance: 0.03 µF. Up to 1,000 feet using 18 AWG, twisted wire required for Serial Communication. No T-tapping of data wire.								

Quick Reference

Consult relevant literature for full listing of available models and options.

Control Panels

FX-5RD	Conventional Fire Alarm Control Panel with dialer, 5 Class B IDCs and 2 Class B NACs, red
F-TRIM35R	Semi-Flush Mt., Trim Kit, FX502R
FX-10RD	Conventional Fire Alarm Control Panel with dialer, 10 Class B IDCs and 4 Class B NACs, red
F-TRIM10R	Semi-Flush Mt., Trim Kit, FX1004R
BC-1R	Battery Cabinet, red
12V6A5	7.2 Ah Batteries
12V10A	11.0 Ah Batteries
12V17A	18 Ah Batteries

Option Cards

F-XTR120	Expander X-Former, 120 Vac, FSP1004RD only
CTM	City Tie Module (Requires 4" sq. box or 2-gang)
RPM	Reverse Polarity Module, Requires MFC-A or other listed FA enclosure
FSRRM24	Remote Relay Module – 5 Form C relays, Config. IDCs 1-5, or 6-10, or common system indicators, Requires MFC-A or other listed FA enclosure

Remote Annunciation

FSRSI	Remote System Indicator – Power, Alarm, Super., Trouble, and Grnd LEDs (Single Gang trim included)
FSRZI-A	Remote Zone Indicator – 5 Red LEDs for 5 IDCs (Single Gang trim included)
FSRZI-SA	Remote Zone Indicator – 5 Bi-Color LEDs (Red/Yellow) for 5 IDCs (Single Gang trim included)
FSAT-2	Ann. Trim Plate, 2-Gang
FSAT3	Ann. Trim Plate, 3-Gang
K-FSRA10	Remote Annunciator 10-Zone Bi-Color LEDs (Red/Yellow) w/ System Indicators for FSP1004RD only (4" sq. box mnt.).
K-FSRA10C	Remote Annunciator 10-Zone Bi-Color LEDs (Red/Yellow) w/ System Indicators & Controls for FSP1004RD only (4" sq. box mnt.).
FSUIM	Graphic Drive/Interface providing System Indicators and Controls

Power Supplies

MIRBPS6A	6.5 Amp Booster Power Supply
MIRBPS10A	10 Amp Booster Power Supply
12V6A5	7.2 Ah Batteries
12V10A	11.0 Ah Batteries
BC-1R - Red	Battery Cabinet

2-Wire Detectors and Bases

511C	Photoelectric Smoke Detector, Base included
521B	Photoelectric Smoke with CleanME Feature, Base included
711U	Smoke detector photoelectric, two-wire
721UT	Smoke detector, photoelectric, two-wire w/integral heat
741U	Smoke detector head only, photoelectric, four-wire

Heat Detectors

283B-PL	135* Fixed / RoR Heat Detector
284B-PL	194* Fixed / RoR Heat Detector
302-AW-135	135* Fixed / RoR Moisture Proof Heat Detector
302-AW-194	194* Fixed / RoR Moisture Proof Heat Detector

2-Wire Duct Detectors

SD-2W	Conventional SuperDuct Detector
SD-Txx	Sampling Tubes for SuperDuct
SD-TRK4	Remote Test Stations for SuperDuct

Manual Stations

278B-1110	Double Action Pull Station, Term., Tool Reset, Lexan
278B-1120	Double Action Pull Station, Term., Key Reset, Lexan
276B-RSB	Surface Mount Box, Red
MPSR1-S45W-GE	Weatherproof Manual Station, c/w backbox

Strobes, Horns

G4LFRF	Wall Horn/Strobe, Low Frequency, 15-110 cd, Marked "Fire", 24VDC, red
G4LFRF-H	Wall Strobe, Low Frequency, 15-110 cd, Marked "Fire", 24VDC, red
MG1RF-VM	Wall Strobe, 15-110 cd, Marked "Fire", 24VDC, red
MG1RF-HDVM	Wall Horn/Strobe, 15-110 cd, Marked "Fire", 24VDC, red
MG1RF-HD	Wall Horn, Temporal, High/Low dB, Marked "Fire", 24VDC, Red
MG1RT	Genesis Trim Plate (for 2-gang or 4" sq. boxes), red
MGCF-VM	Ceiling Multi-cd Strobe, 15-95 cd, Marked "Fire", red
MGCF-VMH	Ceiling Multi-cd Strobe, 95-177 cd, Marked "Fire", red
MGCF-HDVM	Ceiling Multi-cd Horn-Strobe, 75-95 cd, Marked "Fire", red
MGCF-HDVMH	Ceiling Multi-cd Horn-Strobe, 95-177 cd, Marked "Fire", red
CS405-8A-T	Weatherproof Strobe, 110 cd
INT-8A-T	Weatherproof Horn/Strobe, 110 cd
74347U	Weatherproof Box for CS405 strobes
INT-WB	Weatherproof Surface Box, red

Doorholders

1501-AQN5	Single Door, Floor Mounted
1502-AQN5	Double Door, Floor Mounted
1504-AQN5	Long Catch Plate, Flush Wall Mnt.
1505-AQN5	Short Catch Plate, Flush Wall Mnt.
1508-AQN5	Surface, Wall Mounted

Relays

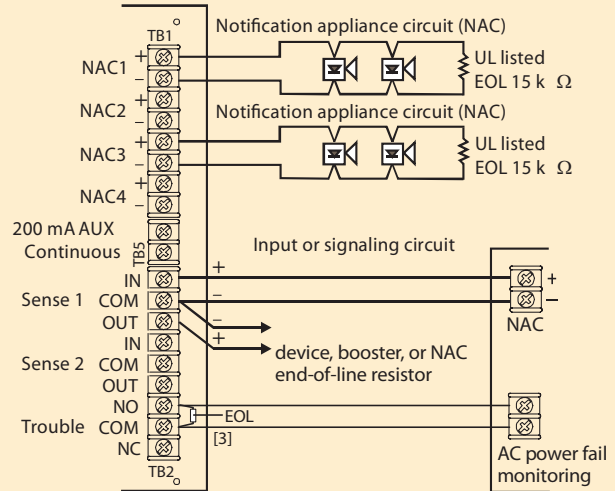
MR101/C	Single SPDT relay. Contact Rating 10 Amps @ 115Vac and Coil Power 24 Vac, 24Vdc, 115Vac or 230Vac.
MR201/C	Single DPDT relay. Contact Rating 10 Amps @ 115Vac and Coil Power 24 Vac, 24Vdc, 115Vac or 230Vac.
PAM1	Encapsulated SPDT relay. Contact Rating 10 Amps @ 115Vac and Coil Power 24 Vac, 24Vdc, or 115Vac.

For complete product specifications and ordering information, see *Data Sheet*
K85005-0126 – FX Series Conventional Fire Alarm Control Panels.

Booster Power Supply

Consult relevant literature for application details.

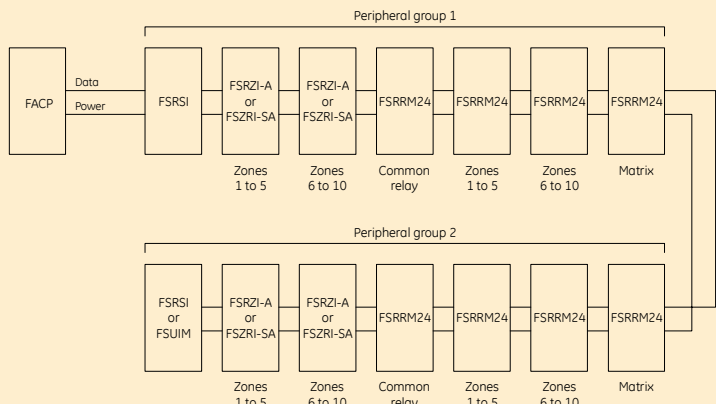
NAC Class B wiring



Specifications	MIRBPS6A 6.5 Amp Booster	MIRBPS10A 10 Amp Booster
AC Line Voltage	120VAC 50/60Hz 390 watts	120VAC 50/60Hz 580 watts
NAC Ratings	24Vdc nominal 6.5A max total all NACs	24Vdc nominal 10A max total all NACs
Trouble Relay	2 Amps @ 30Vdc	
Auxiliary Outputs	Four individually configurable outputs can replace NACs 1, 2, 3 or 4 as auxiliary outputs. 200 mA dedicated auxiliary for use with E-NAC module.	
Input Current	6mA @ 24Vdc (from an existing NAC)	
Current	70mA (Booster Internal Supervisory)	
Maximum Battery Size	10 Amp Hours (2 of 12V10A) in cabinet up to 24 Amp hours with external battery cabinet (p/n BC-1R)	
Environmental	Temperature 32° to 120°F (0° to 49°C), Humidity 0 to 93% non condensing @ 32°C	
NAC Wiring	(4) Class B or (2) Class A	
Output Signal Rates	Continuous, California rate, 3-3-3 temporal, or follow installed panel's NAC.	

Annunciator Bus

Consult relevant literature for application details.



Notes

- Install only one FSRRM24 configured for common relay operation (jumper installed on JP5) per peripheral group.
- Install zone indicator modules only for zones 6 to 10 on ten-zone control panels.
- For ten-zone control panels, install an F-series remote annunciator in place of the FSRSI and the two zone indicator modules (FSRZI-A or FSRZI-SA).
- If the remote modules require more power than the control panel can provide, use a power-limited and regulated 24 VDC auxiliary/booster power supply that is UL/ULC Listed for fire protective signaling systems to power all or some of the remote modules.